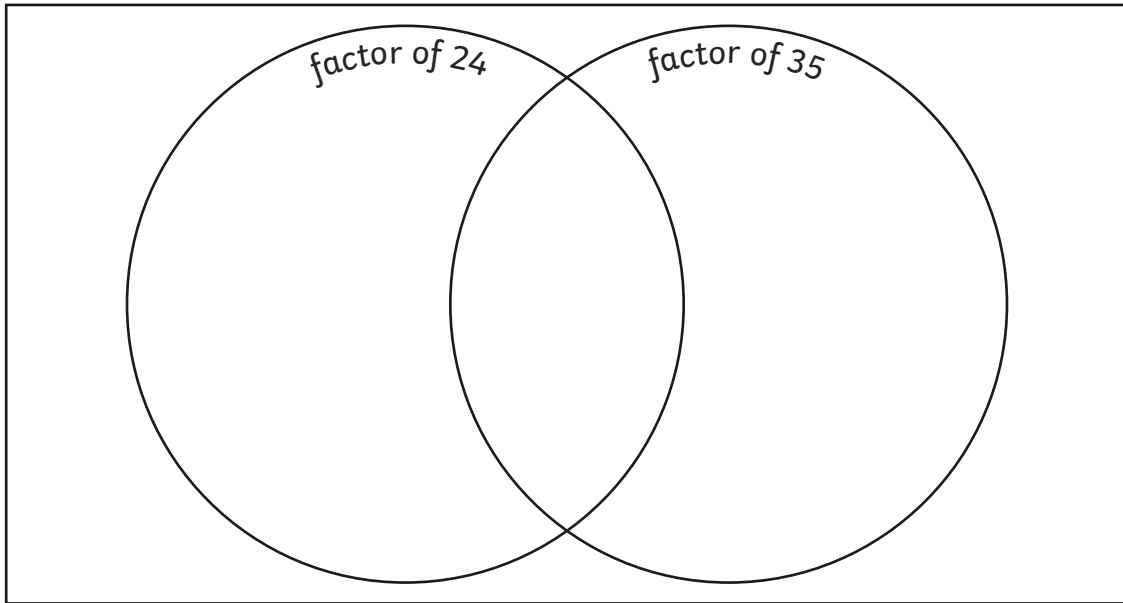


Identifying Common Factors

I can identify common factors.

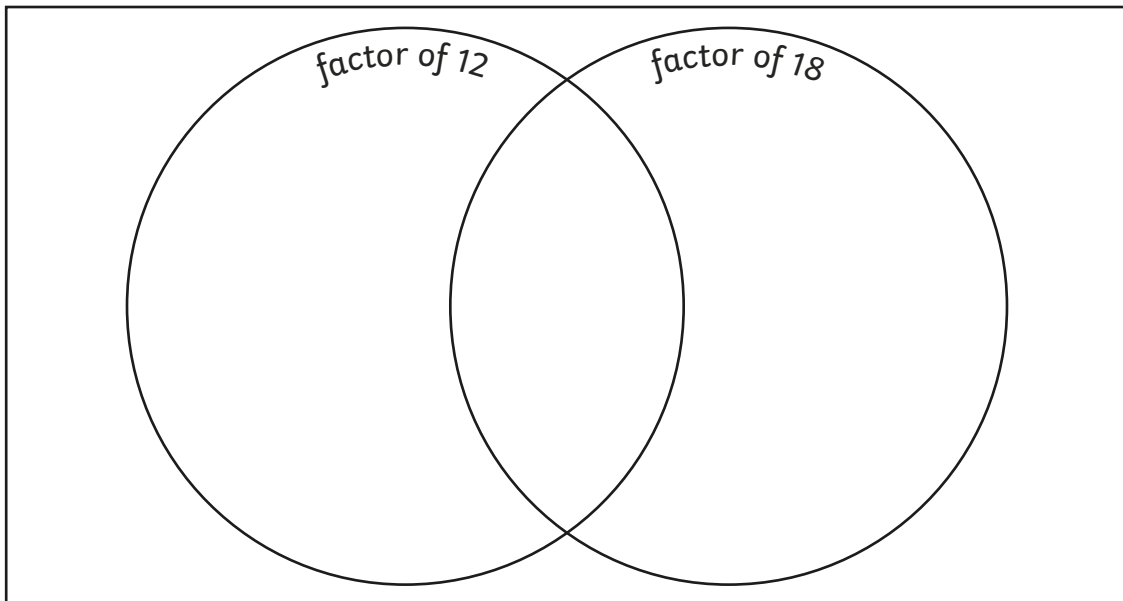


- 1) Place the numbers 1-35 correctly onto the Venn diagram.



What are the common factors? _____

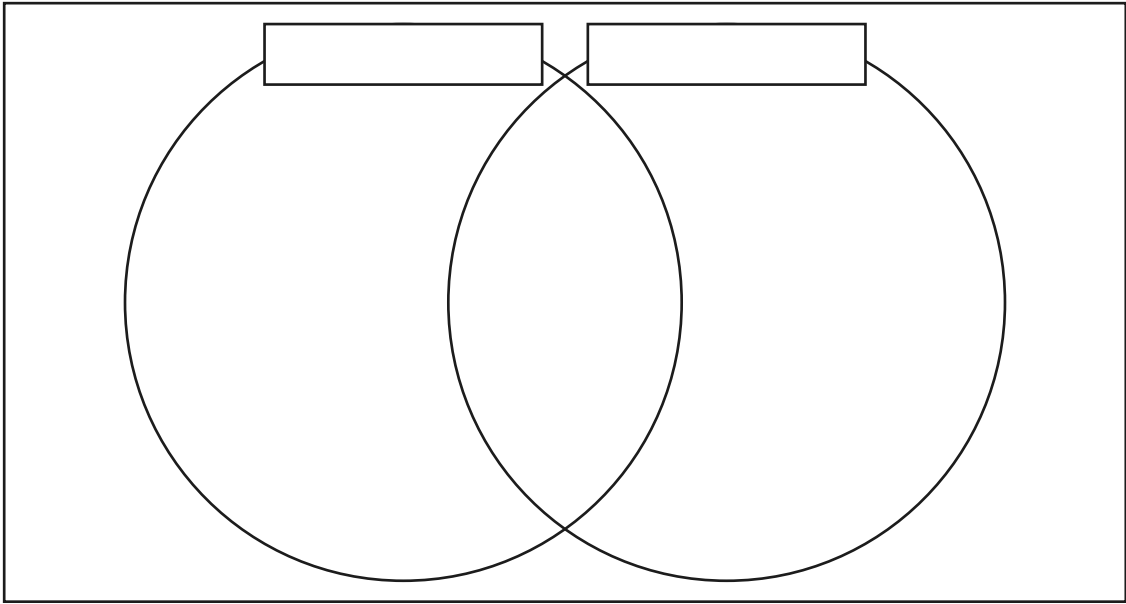
- 2) Place the numbers 1-18 correctly onto the Venn diagram.



What are the common factors? _____

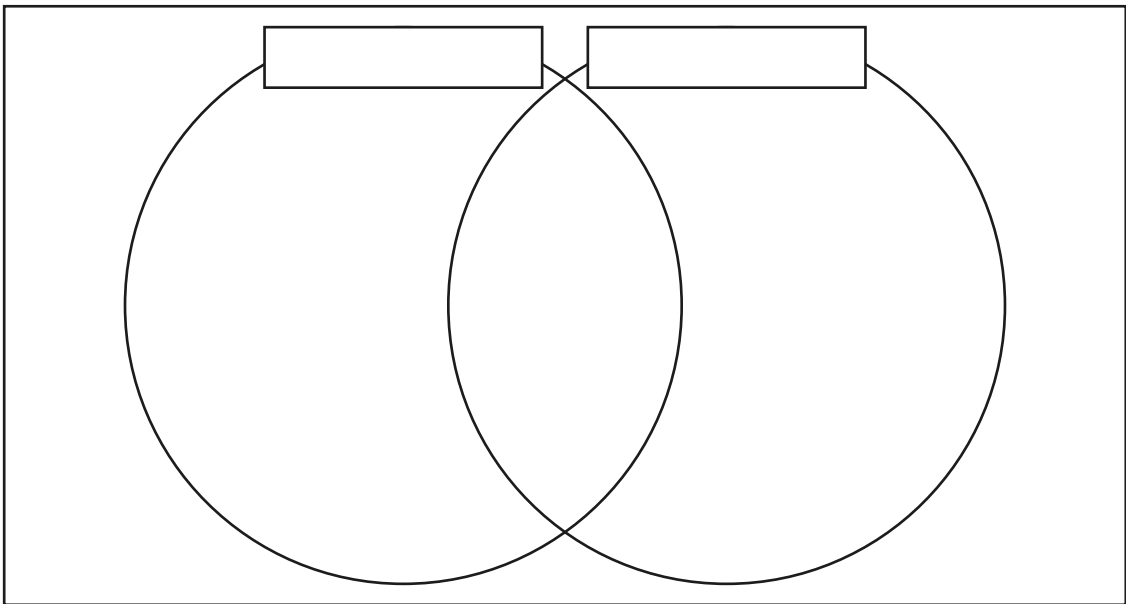
What is the highest common factor? _____

- 3) Choose two numbers to compare. Complete the Venn diagram and identify the highest common factor.



The highest common factor is _____ .

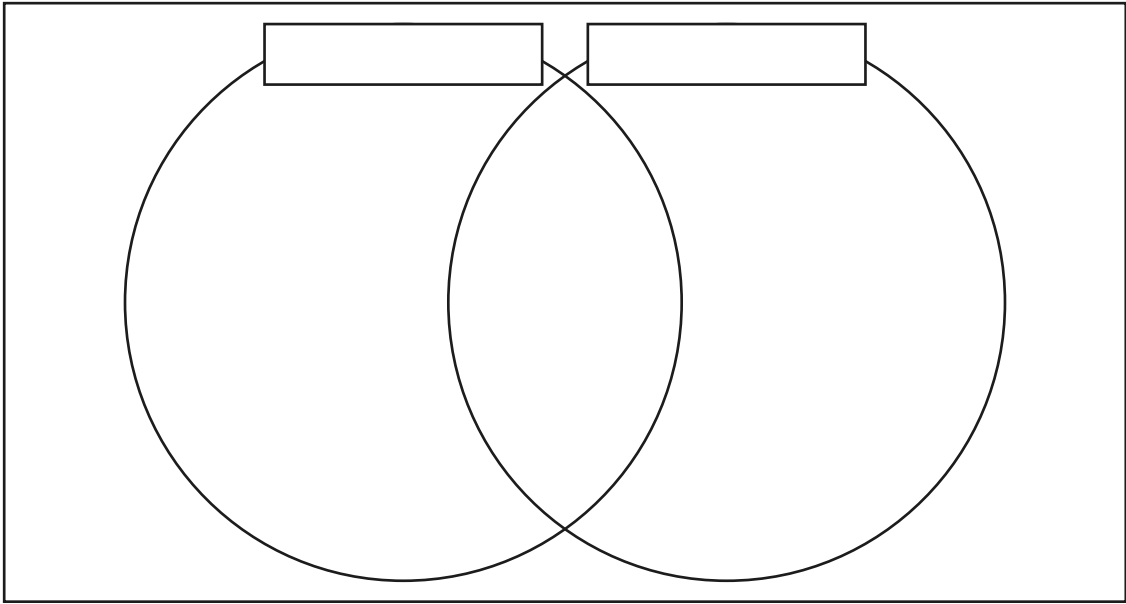
- 4) Choose two numbers to compare. Complete the Venn diagram and identify the highest common factor.



The highest common factor is _____ .

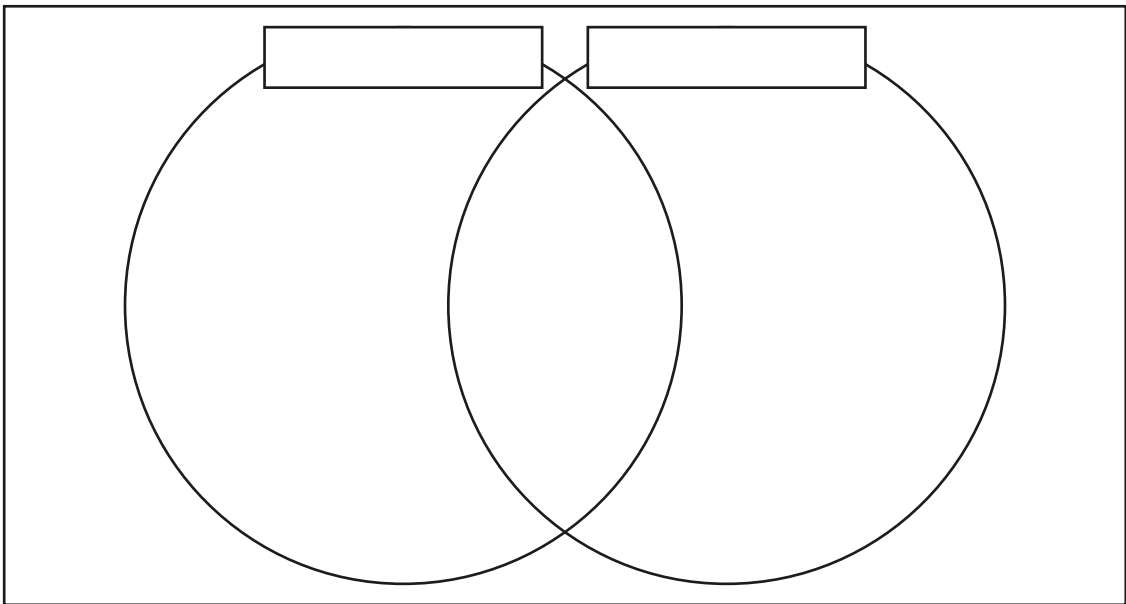


- 5) Choose two numbers to compare. Complete the Venn diagram and identify the highest common factor.



The highest common factor is _____ .

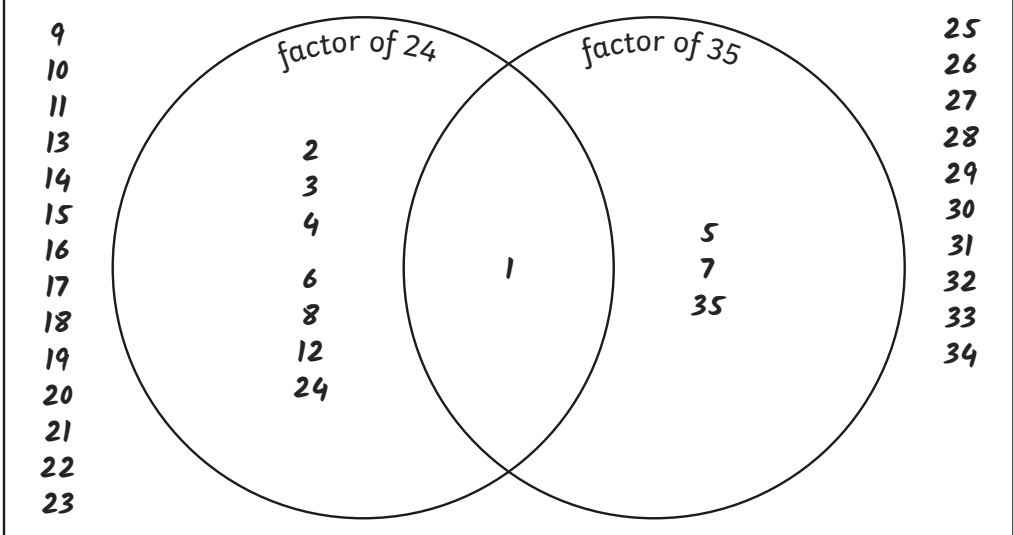
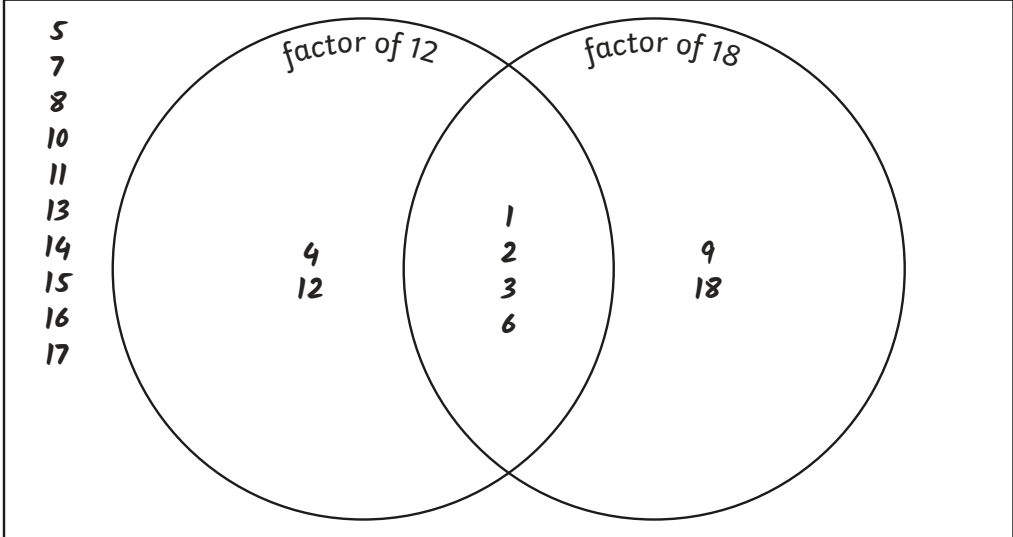
- 6) Choose two numbers to compare. Complete the Venn diagram and identify the highest common factor.



The highest common factor is _____ .



Identifying Common Factors Answers

Question	Answer
1.	Place the numbers 1-35 correctly onto the Venn diagram.
	 <p>What are the common factors? 1</p>
2.	Place the numbers 1-18 correctly onto the Venn diagram.
	 <p>What are the common factors? 1, 2, 3, 6</p> <p>What is the highest common factor? 6</p>
3-6.	Choose two numbers to compare. Complete the Venn diagram and identify the highest common factor.
	Multiple answers possible.



Plant Year 6

Addition, Subtraction, Multiplication and Division

To continue the learning in this area of maths with exclusive teacher-created planning packs, click [here](#)

This thumbnail shows two planning pack covers. 'The Big Question' features a cartoon girl in a classroom and a play button icon. 'Number Combo' also has a play button icon and a grid of numbers. Below the covers are preview images of the worksheets.

This thumbnail displays a set of challenge cards. The main cover shows a CD and a girl pointing at a screen. The cards themselves feature various math problems and illustrations, including a girl and a boy.

This thumbnail shows a grid of starter ideas for Year 6. It includes a 'Know Your Number' wheel and a grid of math problems. The text 'Year 6 Addition, Subtraction, Multiplication and Division Starter Ideas' is visible at the top.

This thumbnail features a 'Prime Numbers' grid and a 'Using Column Method' worksheet. The grid lists numbers 1-20 with their prime factors. The worksheet shows a subtraction problem: $2123 - 1456 = 667$.

This thumbnail shows three planning pack covers: 'Long Vines', 'Jungle Division', and 'Slithering Snake'. Each cover has a play button icon and a grid of math problems. Below are preview images of the worksheets.

This thumbnail displays three 'Line Up' worksheets. Each sheet has a grid for students to write their names and solve math problems. The text 'Line Up' is prominent at the top of each sheet.

To view more of our award-winning schemes of work,

If you need us, just get in touch - contact [us](#)